

XC3300W / XC3600W

Power Washer

Parts Manual

Models G0088700 / G0088710

 **WARNING**

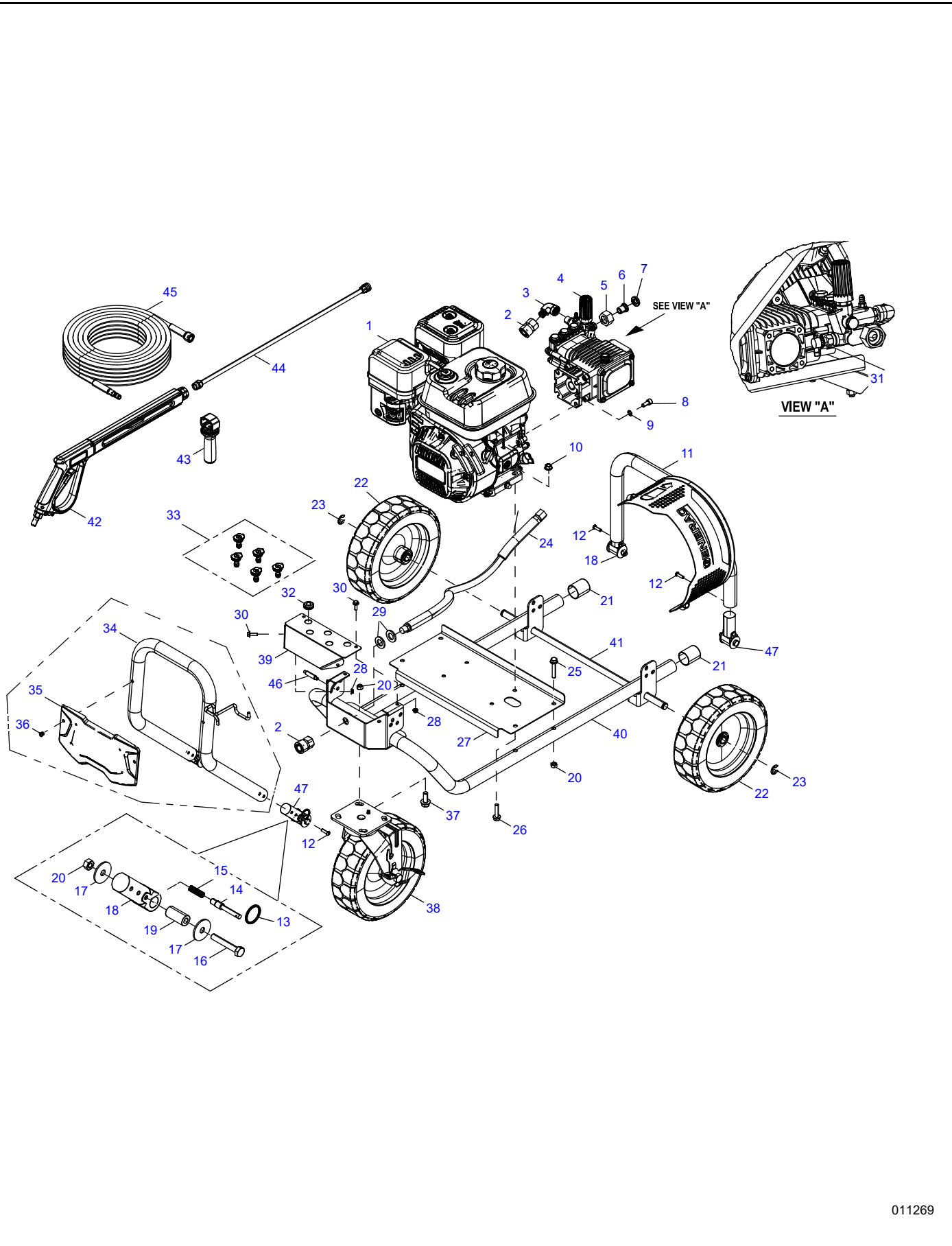
CANCER AND REPRODUCTIVE HARM

www.P65Warnings.ca.gov

(000393a)

The information in this manual is known to be accurate as of the date of release shown on the cover. However, engineering changes can occur without notice. To obtain the proper parts, be sure to use the serial number of the unit being serviced when ordering from this manual. Always refer to any part notes and changes before ordering. All other parts not shown in the manual can be found on Generac's exploded view drawings at www.generac.com or by contacting your local authorized dealer.

www.generac.com or 1-888-GENERAC



011269

QUICK REFERENCE GUIDE

Engine Size	Fuel	Engine Part No.
212CC	Gasoline	0K5327

QUICK REFERENCE PARTS

Description	Part No.	Special Notes
Air Filter Element	0J88870125	
Spark Plug	0J00620106	

ITEM	PART NO.	DESCRIPTION	QTY
1	0K5327	ENGINE 212CC	1
2	0H9568	COUPLING-FEMALE QDISK	2
3	A0000264040	FITTING 3/8" NPT 90°	1
4	0K9902	PUMP, TRIPLEX 3600 PSI	1
*	0J0172	PUMP, TRIPLEX 3300 PSI	1
5	0J1445	NUT, GARDEN HOSE INLET	1
6	0J1443	NIPPLE, GARDEN HOSE INLET	1
7	0J1444	SCREEN, GARDEN HOSE INLET	1
8	0J4188	SCREW, SHC M8-1.25 X 18 C8.8 ZP	4
9	G092479	WASHER, LOCK M8 RIBBED	4
10	G067989	NUT HEX FL WHIZ M8-1.25	
11	A0000312353	ASSEMBLY, BUCKET HOLDER	1
12	0J5086	SCREW, BHSC M6-1.0 X 20 ZP	8
13	ORDER #47	SPLIT RING (KEY RING)	2
14	ORDER #47	PIN, PULL	2
15	ORDER #47	SPRING, COMPRESSION	2
16	G051731	SCREW HHC M8-1.25 X 50 C8.8	4
17	ORDER #47	WASHER. FLAT 0344ID X 1.25OD	8
18	ORDER #47	KNUCKLE	4
19	ORDER #47	BUSHING, HANDLE BEARING	4
20	G049820	NUT, HEX LOCK M8-1.25 NY INS	12
21	A0000350054	CAP, 1.25" PVC TUBE	2

ITEM	PART NO.	DESCRIPTION	QTY
22	10000003228	WHEEL 10"	2
23	0J2686	RING, SNAP-5/8 TYPE E	2
24	A0000264049	HOSE, BRAIDED 3/8" X 31" W/QC	1
25	0H1779	SCREW, HHFC M8-1.25 X 45 G8.8	4
26	G089230	SCREW, HHFC M8-1.25 X 35 G8.8	4
27	A0000264007	PLATE, BASE	1
28	0E6423	NUT, HEX FL WHIZ M5-0.8	4
29	0A1646	WASHER, FLAT M16	2
30	A0000773477	SCREW, HHFC M5-0.8 X 16	4
31	0C7649	CLAMP, HOSE .38-.87	1
32	0J3079	GROMMET, NOZZLE	5
33	0H9617K	KIT, NOZZLE 025/029 (3600 PSI)	1
*	0H9617L	KIT, NOZZLE 030/035 (3300 PSI)	1
34	A0000940812	ASSEMBLY, HANDLE WITH BILLBOARD	1
35	ORDER #34	BILLBOARD W/DECAL	1
36	ORDER #34	RIVET, POP .25 X 0.625 STL BLK	2
37	G059012	SCREW, HHFC M8-1.25 S 20 G8.8	4
38	A0000441173	10" SWIVEL CASTER W/WHEEL	1
39	A0000940892	ASSEMBLY, BRACKET COVER WITH DECAL 3600	1
*	A0000940889	ASSEMBLY, BRACKET COVER WITH DECAL 3300	1
40	A0000346455	CRADLE, ASSEMBLY WELDMENT	1
41	A0000264092	AXLE 5/8	1

ITEM	PART NO.	DESCRIPTION	QTY
42	0K6183	GUN, PROF W/QC	1
43	0J1052	GUN, SUPPORT HANDLE	1
44	0K9900A	LANCE ASSEMBLY, 29" SS	1
45	A0000390347	HOSE, 5/16" X 25' W/ QC	1
46	ORDER #47	PIN, STOP	1
47	A0000940863	ASSEMBLY, KNUCKLE	4
N/S	0J5710	DETERGENT HOSE AND FILTER	1

N/S = Not Shown.

(*) = These parts are specific to the 3300 PSI unit.

NOTE: To order replacement engine parts, see manual 0K5327PMNL.

NOTE: To order replacement 3300 pump parts, see manual 0J0172PMNL.

NOTE: To order replacement 3600 pump parts, see manual 0K9902PMNL.

Part No. A0000877779 Rev. A 08/12/2020
 ©2020 Generac Power Systems, Inc.
 All rights reserved
 Specifications are subject to change without notice.
 No reproduction allowed in any form without prior written consent from Generac Power Systems, Inc.

GENERAC® | **PRO**

Generac Power Systems, Inc.
 S45 W29290 Hwy. 59
 Waukesha, WI 53189
 1-888-GENERAC (1-888-436-3722)
www.generac.com/pro